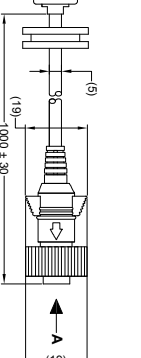
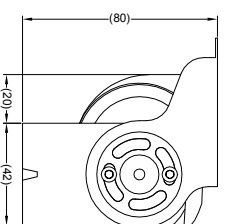
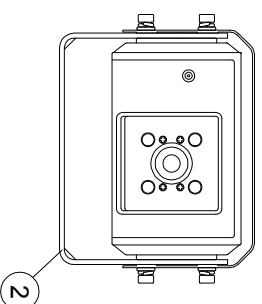
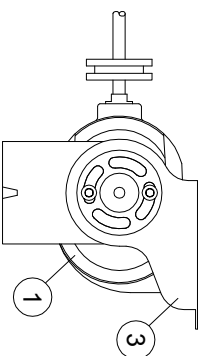
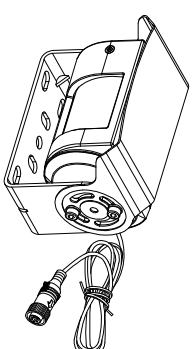
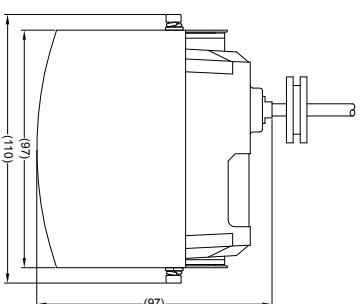
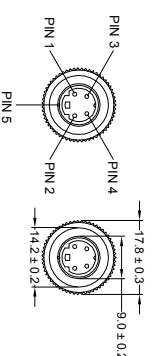
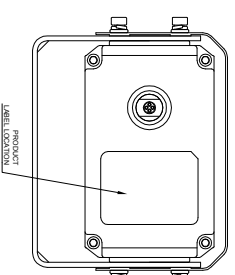


ITEM	PART NO	QTY	MODEL/DESCRIPTION
①	(#3297B)	1	BE-840RC-C CAMERA ONLY
②	(#3294)	1	BE-84XXC-BKT CAMERA BRACKET
③	(#3295)	1	BE-84XXC-SS CAMERA SUNSHIELD
④	(#3246)	1	BE-2XXXC/8XXC-FIX CAMERA FIXING PACK
⑤	(#3296)	1	BE-84XXC-IG INSTALLATION GUIDE (NOT SHOWN)

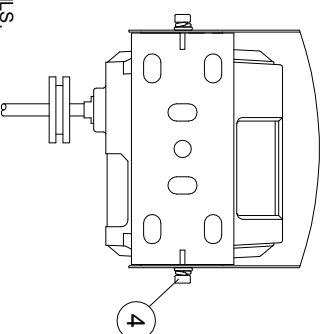


VIEW A



4 PIN MINI DIN MALE MATING FACE

PIN #	WIRE COLOUR	DESCRIPTION
1	YELLOW	VIDEO
2	RED	+12V
3	BLUE	ADD. FUNCTION
4	WHITE	AUDIO
5	BLACKSHIELD	GND

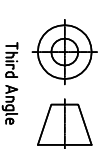


- NOTES:**
1. REFER TO "PRODUCT SPECIFICATIONS" FOR MORE DETAILS.
 2. REFER TO COMPONENT DRAWINGS FOR COMPONENT DETAILS.
 3. ENSURE SELF AMALGAMATING TAPE IS USED DURING INSTALLATION.
 4. FOR GIFTBOX LABEL REFER TO LATEST REVISION OF DRAWING BE-001111-XX-11.
 5. FOR GIFTBOX SERIAL NUMBER LABEL REFER TO LATEST REVISION OF DRAWING BE-001299-XX-11.
 6. ANY CUSTOMER MODIFICATION OF THIS PRODUCT CAUSING SUBSEQUENT FAILURE IS NOT A LIABILITY OF BRIGADE ELECTRONICS PLC.

PROPRIETARY NOTICE

THIS DESIGN AND TECHNICAL INFORMATION APPEARING ON THIS DRAWING IS THE PROPERTY OF BRIGADE ELECTRONICS, AND IS DISCLOSED IN CONFIDENCE. IT IS NOT TO BE COPIED, REPRODUCED, REVEALED TO OR EXPLOITED BY OTHERS, EITHER IN WHOLE OR IN PART WITHOUT THE EXPRESS WRITTEN CONSENT OF BRIGADE ELECTRONICS.

BRIGADE
 www.brigade-electronics.com



Assembly Pl Approval		Approved by		Checked by		Drawn by	
Units	Scale	Released	Assembly Ref	Status	DRAFT	Part No	BE-840RC
mm	N/A	00/00/00		DRAFT		#2722B	
						BE-001109-01-11	